



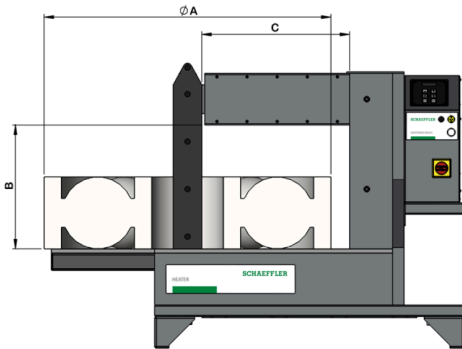
HEATER800-SMART-400V

Heating device, inductive

Schaeffler ID:
0966777670000

HEATER smart

Technical information



Technical data

U	400 V	Operating voltage
f	50 - 60 Hz	Frequency
P	24 kVA	Power consumption
I	60 A	Current rating
$\vartheta_{h \max}$	240 °C	Max. heating temperature
	0 - 99 min	Heating time
	Touch	Display
	2	Magnetic probe, quantity
$\approx m$	307 kg	Weight

Functions

+	Temperature hold
+	Automatic demagnetization, <2A/cm
—	Swivel arm
+	Log function
+	Delta-T control
+	Temperature control
+	Time control
+	Temperature and time control
+	Temperature and speed control
+	Overheating protection
only in temp. and speed mode	Automatic power reduction
+	Device supports horizontal / lying heating of the workpiece
—	Device supports vertical / hanging heating of the workpiece

Dimensions

	1,080 mm	Length HEATER
	650 mm	Width HEATER
	955 mm	Height HEATER
B	430 mm	Space between poles
C	515 mm	Pole length

Workpiece to be heated

	145 mm	Min. inner diameter workpiece, horizontal heating: with included yoke
	60 mm	Min. inner diameter workpiece, horizontal heating: with optional yoke
$\varnothing A_{\max}$	1,150 mm	Max. outer diameter workpiece
	420 mm	Max. workpiece width, horizontal heating
$m_{b \max}$	800 kg	Max. workpiece weight

Additional information

	1	Yokes included, quantity
	100x100	Yokes included, cross section (mm ²)